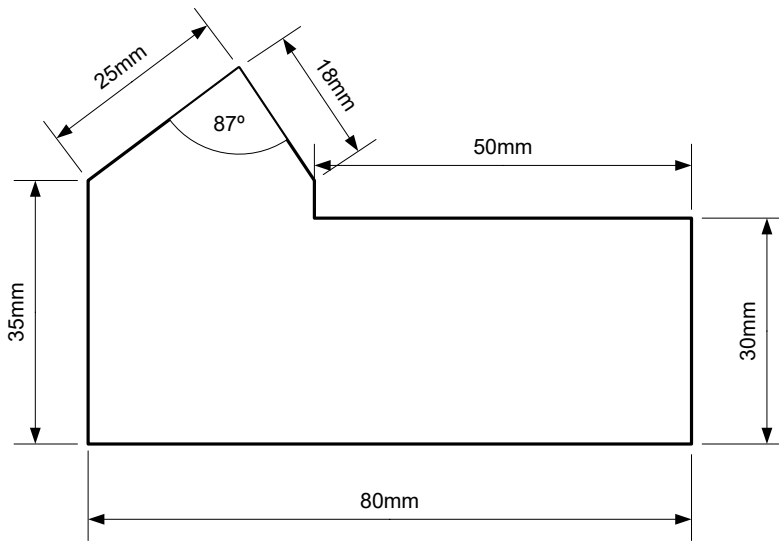
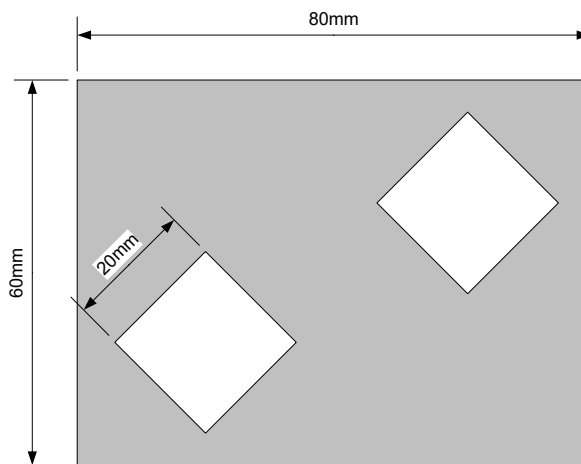


Area of compound shapes.

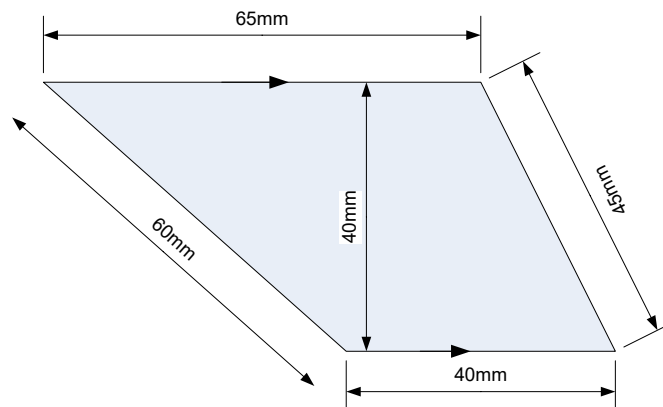
- 1 Find the area and the perimeter of the following shape.



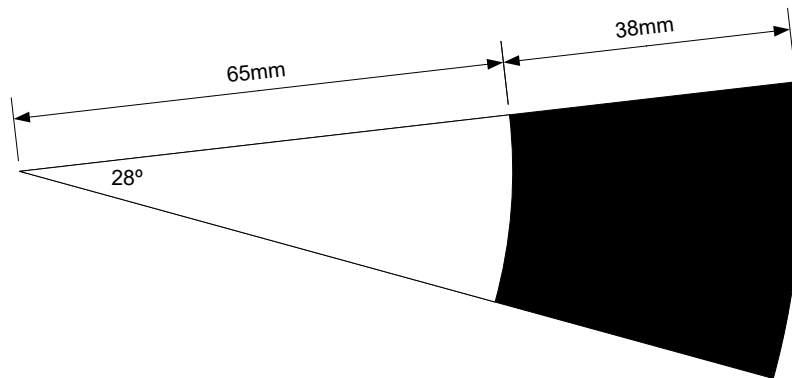
- 2 A grey tile has two identical squares cut out. Find the area of the grey part of the tile.



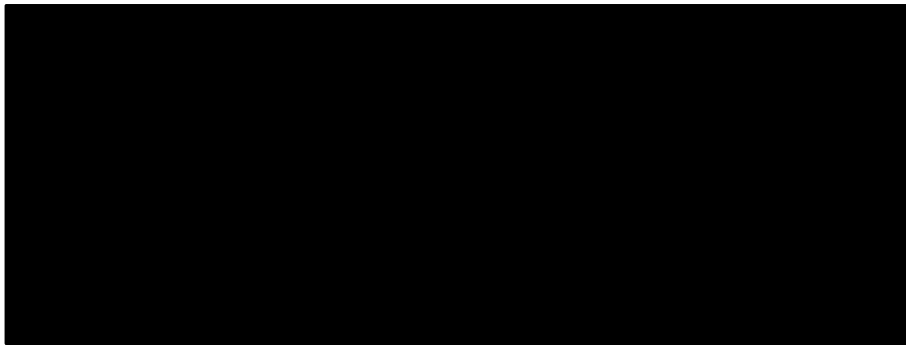
- 3 What is the area and the perimeter of the following shape?



- 4 Find the area of the shaded part of the diagram



- 5 Look at the shape below. Find its area by measuring the shape.



For each of the shapes below, calculate a set of dimensions so that each shape has the same area as the shape above.

Draw the following shapes in your book that have the same area as the shape above.

- 1 Square
- 2 Parallelogram
- 3 Circle
- 4 Triangle
- 5 Oblong of different dimensions to the one above
- 6 Trapezium

Mark on each shape the dimensions to indicate that the area is equal to the black oblong above.